

F-400

Variable Area Flow Meter



Features

- > Durable, highly polished, one piece meter body
- > Annealed for added strength and chemical resistance
- > Acceptable in direct sunlight
- > Full scale accuracy +/- 5%
- > 316SS float & guide-wire

Highlights

Flow range

.025 - 5.0 GPM
.100 - 20 LPM

Pressures up to

150 PSI
(10.3 bar)

Max. fluid temp.

150 °F
65 °C

Body

Acrylic

Adapters

1/4", 3/8" & 1/2" F/NPT

Warranty

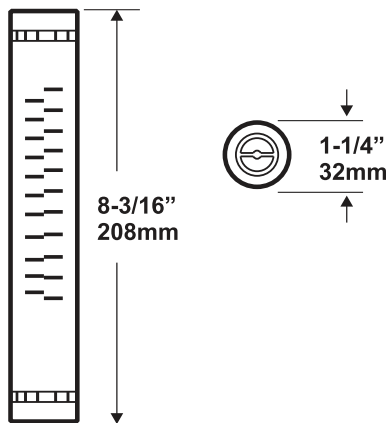
1 Year



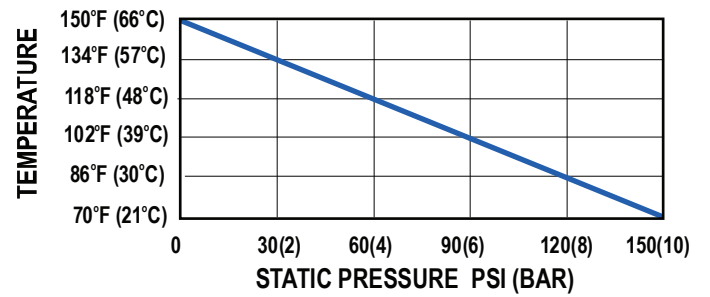
Maximum Working Pressure	150 psi (10.3 bar) @ 70 °F (21 °C)
Maximum Fluid Temperature	150 °F (65 °C)
Full Scale Accuracy	+/- 5%
Calibration Fluid	Water, specific gravity 1.0
Scale Length	4" (100mm)
Environment	Acceptable for direct sunlight exposure
Approximate Shipping Weight	0.5 lb (.23kg)

Dimensions

Dim	Inch	cm
A	8-3/16"	20.8
B	1-1/4"	3.2



Maximum Temperature vs. Pressure



Wetted Components:

Meter Body	Cast acrylic rod
Adapters	Polypropylene
O-ring Seals	FKM (optional EP)
Float	316SS, PVDF or PTFE (varies by model)
Guide Rod	316SS

Output Specifications

Model	Feed Rate		Max Pressure	Max Temperature	Float Material
	GPM	LPM	PSI (bar)	°F (°C)	
F-40250LN	0.025–0.250	0.1–1.0	150 (10.3)	150 (65)	PVDF
F-40050LN	0.05–0.5	0.2–2.0	150 (10.3)	150 (65)	316SS
F-40375LN	0.1–1.0	0.4–4.0	150 (10.3)	150 (65)	PTFE
F-40376LN	0.2–2.0	1.0–7.5	150 (10.3)	150 (65)	316SS
F-40377LN	0.3–3.0	1.5–11	150 (10.3)	150 (65)	316SS
F-40500LN	0.5–5.0	2.0–20	150 (10.3)	150 (65)	316SS

Model Number Matrix

F-400 Model Number

F	Flow Meter						
Series							
	40	F-400 Acrylic body					
Scale							
	050	0.05 - .5 gpm (0.2 - 2.0 lpm) 316ss Float					
	250	0.025 - .25 gpm (0.1 - 1.0 lpm) PVDF Float					
	375	0.1 - 1.0 gpm (0.4 - 4.0 lpm) PTFE Float					
	376	0.2 - 2.0 gpm (1.0 - 7.5 lpm) 316ss Float					
	377	0.3 - 3.0 gpm (1.5 - 11 lpm) 316ss Float					
	500	0.5 - 5.0 gpm (2.0 - 20 lpm) 316ss Float					
Guide-Wire Material							
	LN	316 Stainless steel rod					
Adapter							
	4	.250" Female NPT, Polypropylene					
	6	.375" Female NPT, Polypropylene					
	8	.500" Female NPT, Polypropylene					
O-Rings							
	(Blank)	FKM					
	-E	EP					
F	-	40	050	LN	-	4	Sample Model Number

*In-house NIST Calibration, OEM packaging, silicone oil free and bulk packaging options are also available.